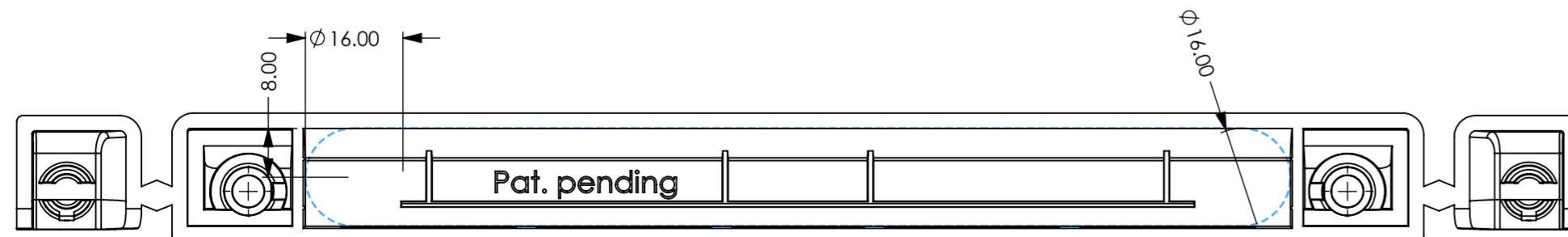
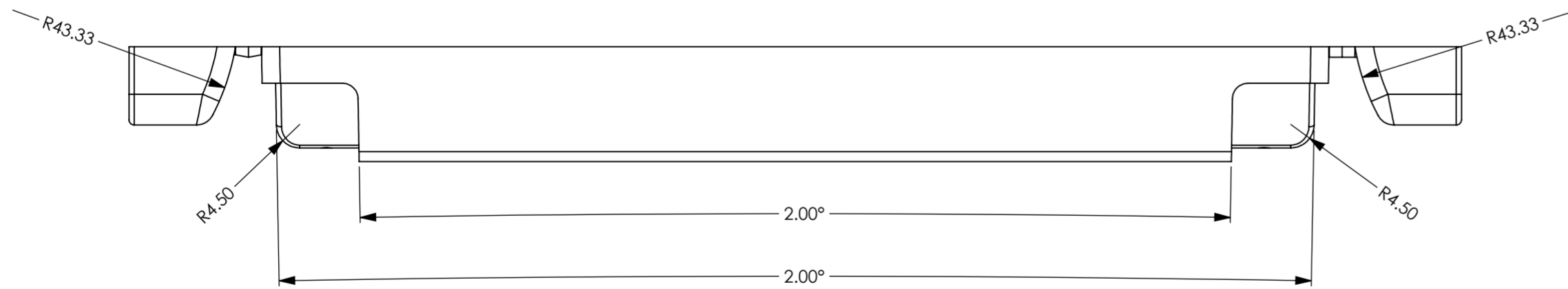
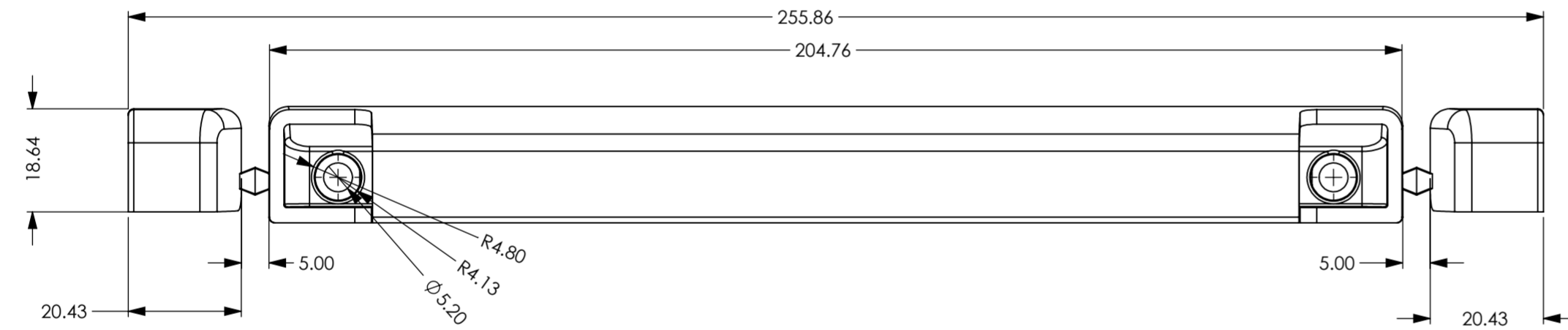
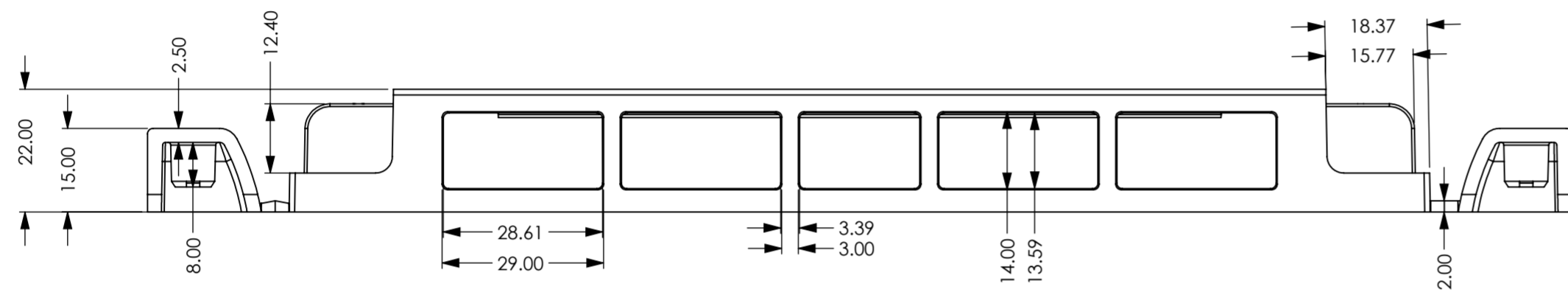
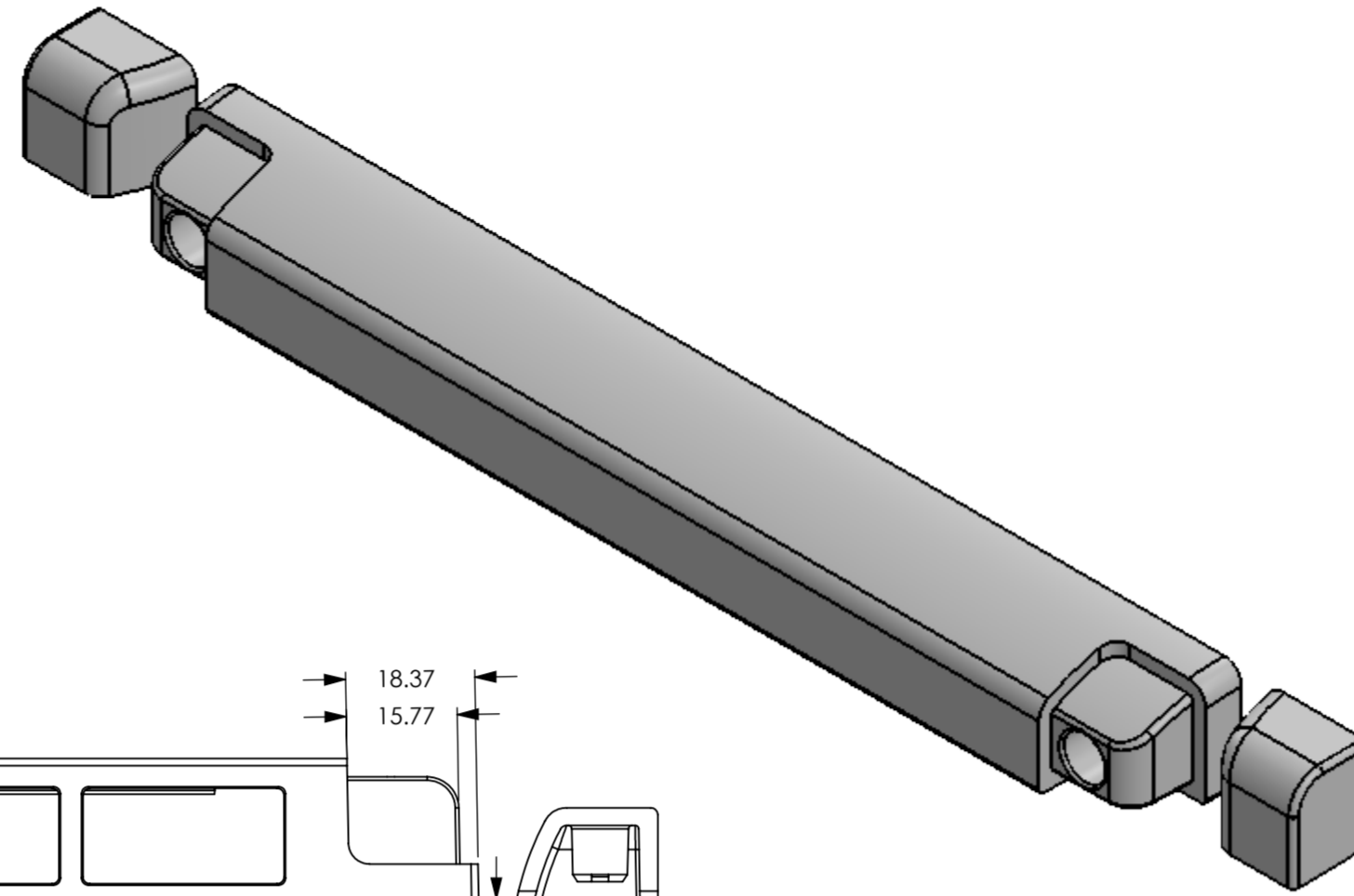


THIS DRAWING MUST NOT BE COPIED WITHOUT WRITTEN CONSENT ©

GBP



COMPONENT PRODUCT CODE	X X X X
TOOL No	X
TARGET CYCLE TIME	X SECS

Iss	Description	DRW	APP	DATE

TOLERANCES

0. = ± 0.5mm
 0.0 = ± 0.2mm
 0.00 = ± 0.1mm

TITLE	TITLE	TITLE	TITLE
OPERATION OR EQUIPMENT	OPERATION		
DRAWN BY	MATERIAL	SHEET No	
CHECKED BY	MATERIAL	SHEET	
SCALE	SCALE	DRAWING NUMBER	
DATE	DATE	DRAWING	

A2

